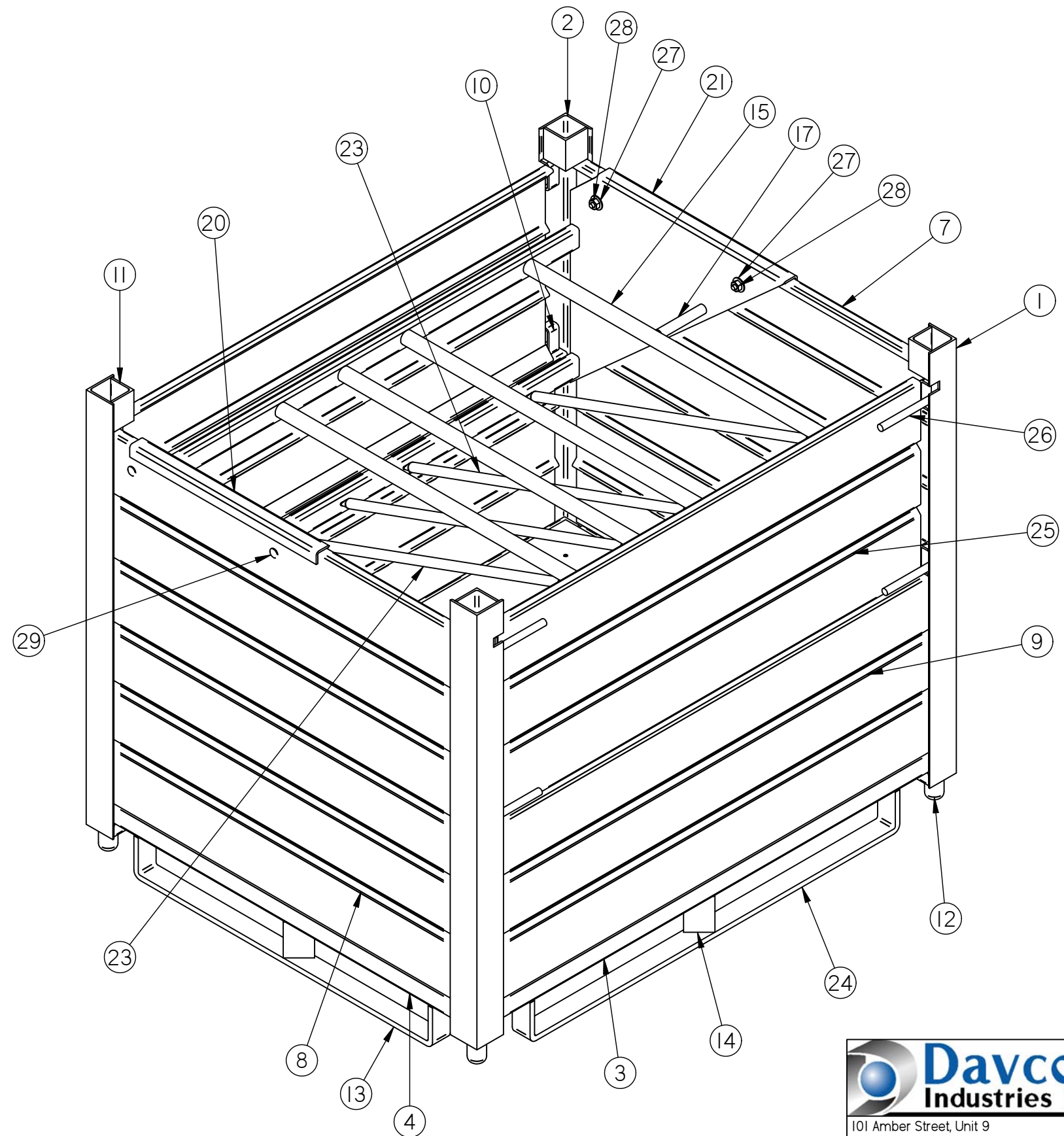


ITEM NO.	QTY	MATERIAL DESCRIPTION	LENGTH	NOTES
1	2	L 3 x 3 x 3/16"	42.375 in	SEE SHEET 8
2	2	L 3 x 3 x 3/16"	42.375 in	SEE SHEET 8
3	2	HSS 2 x 2 x .134"	53.125 in	
4	4	HSS 2 x 2 x .134"	39.625 in	
5	3	HSS 2 x 2 x .134"	15.208 in	
6	1	HRS 11 GA 42 1/2 x 52 1/2"		SEE SHEET 7
7	1	HRS 11 GA x 38 15/16 x 41" +/-		SEE SHEET 10
8	1	HRS 11 GA x 38 15/16 x 41" +/-		SEE SHEET 11
9	2	HRS 11 GA x 19 3/4 x 51" +/-		SEE SHEET 9
10	8	HRS 3/16 x 1 1/8 x 3 27/32"+/-		SEE SHEET 8
11	4	L 2 1/2 x 2 1/2 x 3/16"	3.000 in	
12	4	CC3		
13	2	1/2 x 2" FLAT BAR	40.000 in	SEE SHEET 13
14	4	L 2 1/2 x 2 1/2 x 3/16"	3.500 in	
15	5	ROUND HSS 1.315" OD x .125"	38.250 in	
16	1	ROUND HSS .84" OD x .125"	3.000 in	
17	1	ROUND HSS .84" OD x .125"	4.988 in	
18	2	ROUND HSS .84" OD x .125"	5.750 in	
19	2	HSS 2 x 1 x .125"	51.063 in	
20	1	HRS 3/16 x 23 7/8 x 24" +/-		SEE SHEET 12
21	1	HRS 3/16 x 23 7/8 x 24" +/-		SEE SHEET 12
22	5	HRS 3/16 x 1 1/8 x 3"		TUMBLER
23	5	ROUND HSS .84" OD x .125"	36.000 in	SEE SHEET 14
24	2	1/2 x 2" FLAT BAR	48.000 in	SEE SHEET 13
25	2	HRS 11 GA x 23 7/8 x 47 5/8" +/-		SEE SHEET 9
26	8	5/8" DIA. ROUND BAR	6.000 in	
27	4	3/8 USS FLAT WASHER - ZINC PLTD.		
28	4	3/8-16 NYLON INSERT LOCK NUT - ZINC PLTD.		
29	4	3/8-16 x 2" CARRIAGE BOLT - ZINC PLTD		



101 Amber Street, Unit 9  
 Markham, ON L3R 3B2  
 Phone: (905) 947-8100, Fax: (905) 947-0754

UNLESS OTHERWISE SPECIFIED ANGLES ± 0.5° LINEAR ± 1/16"	0	INITIAL ISSUE	CA	07-07-05	PROJECT	-	UNITS	in	
	NO.	DESCRIPTION	BY	DATE	TITLE	SOLID CORRUGATED BINS 54x44x45"H BOLTED IN ASSEMBLY			
	REVISION HISTORY								
	SHEET	DRAWN	CHECKED	DRAWING NUMBER					
1 OF 14	C. ANNETT	D. KEEHL	SCBB-01						
								REV	0

EXAMPLE WEBSITE DRAWING