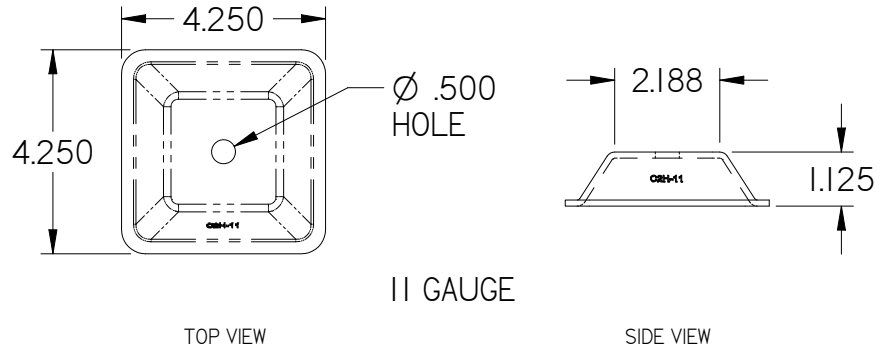
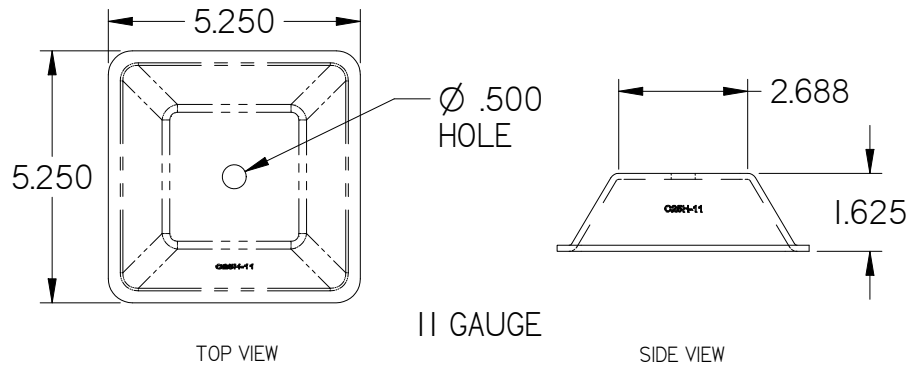


Steel Stacking Caps, Feet and Receivers

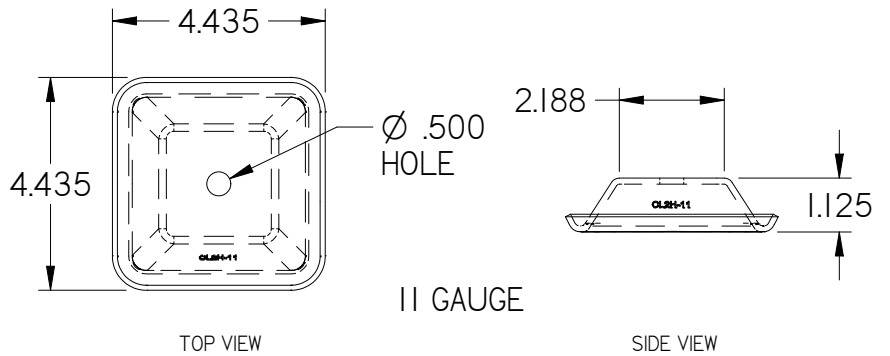
C2H-II



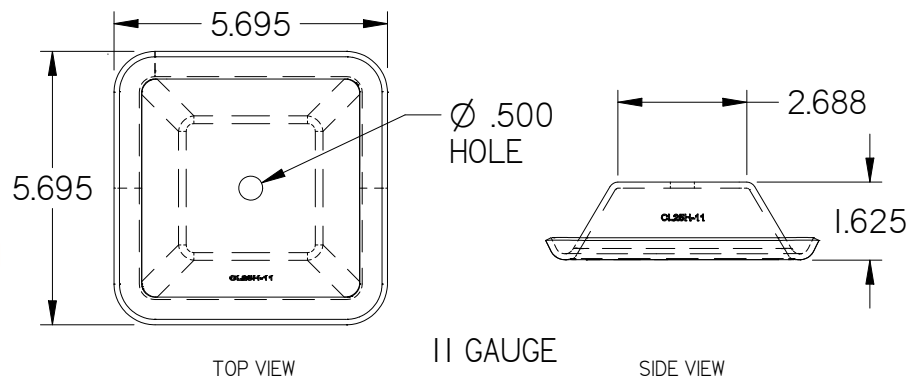
C25H-II



CL2H-II

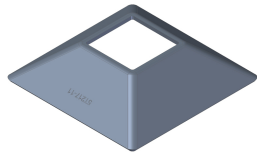
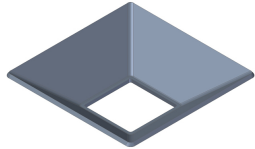


CL25H-II

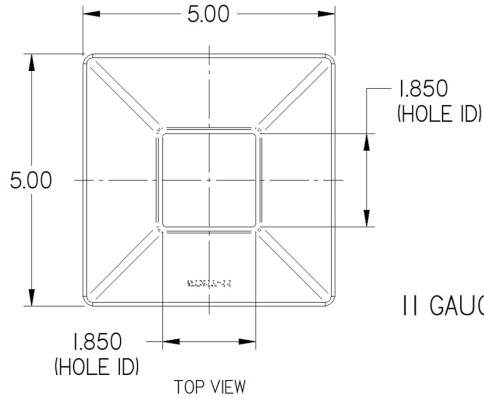


Steel Stacking Caps, Feet and Receivers

5T217-II



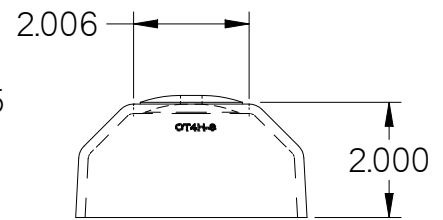
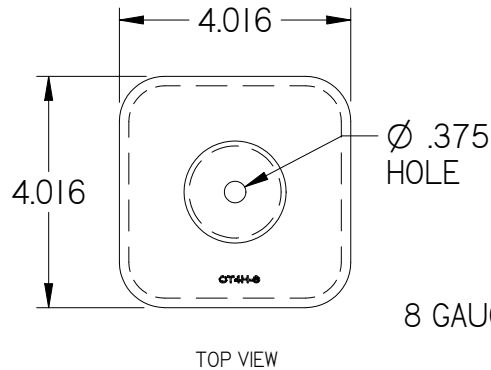
**NEW PART
JAN. 2016**



II GAUGE

SIDE VIEW

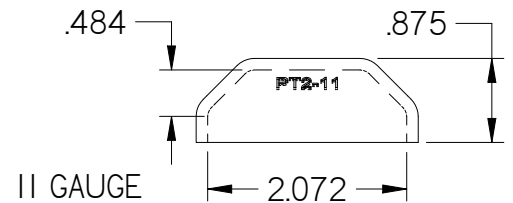
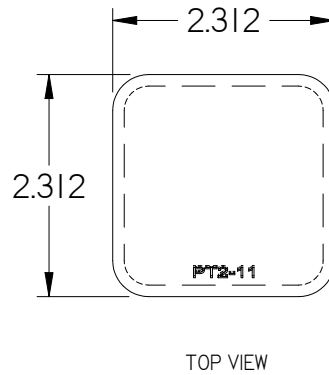
CT4H-8



8 GAUGE

SIDE VIEW

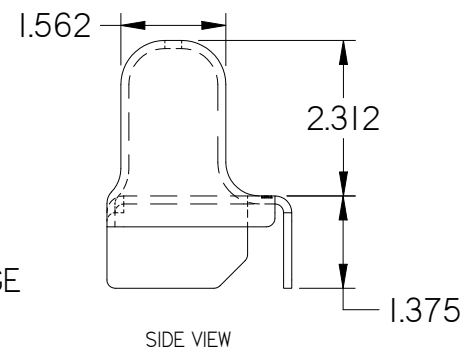
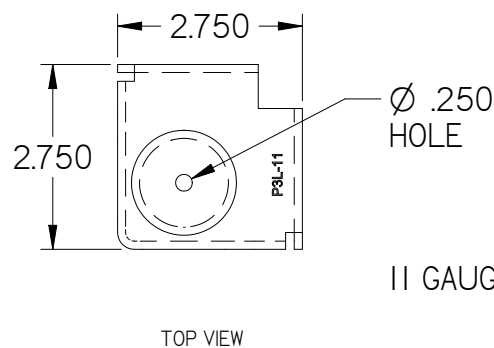
PT2-II



II GAUGE

SIDE VIEW

P3L-II

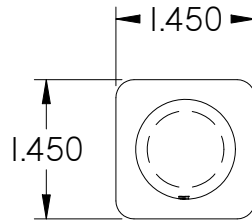


II GAUGE

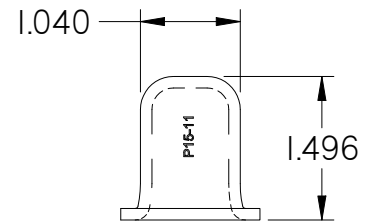
SIDE VIEW

Steel Stacking Caps, Feet and Receivers

P15-II



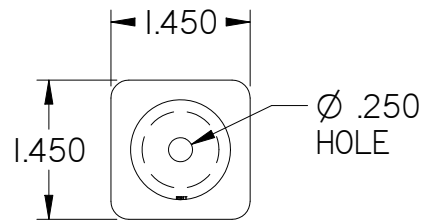
TOP VIEW



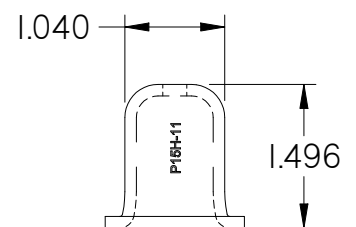
SIDE VIEW

II GAUGE

P15H-II



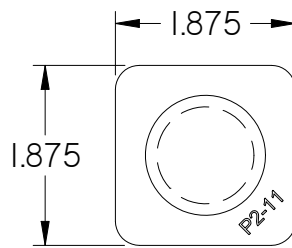
TOP VIEW



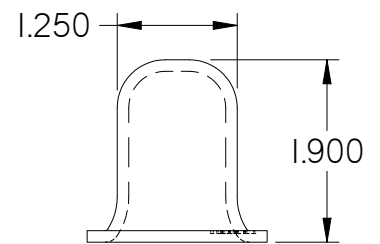
SIDE VIEW

II GAUGE

P2-II



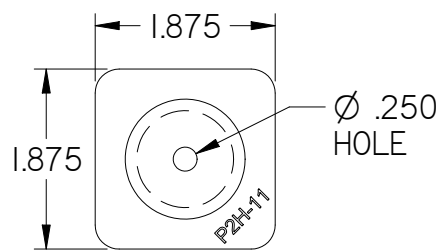
TOP VIEW



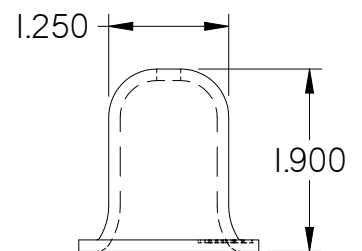
SIDE VIEW

II GAUGE

P2H-II



TOP VIEW

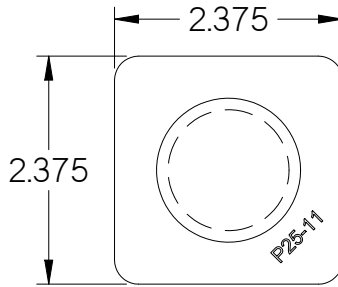


SIDE VIEW

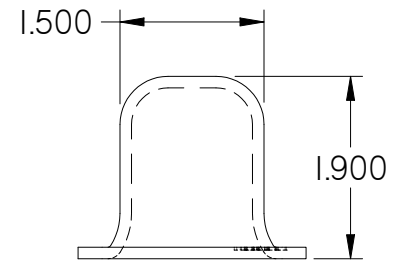
II GAUGE

Steel Stacking Caps, Feet and Receivers

P25-II



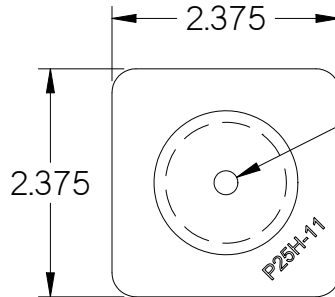
TOP VIEW



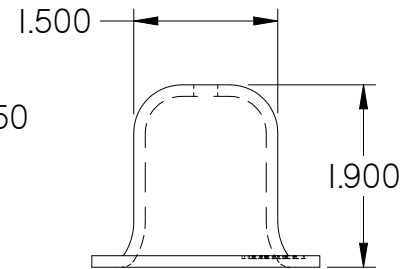
II GAUGE

SIDE VIEW

P25H-II



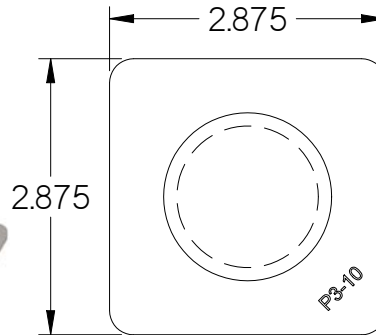
TOP VIEW



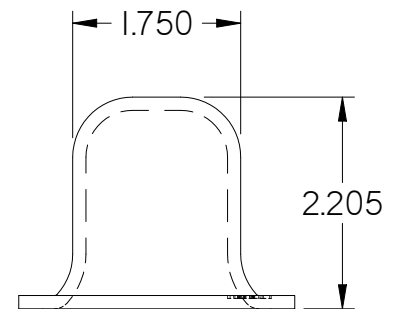
II GAUGE

SIDE VIEW

P3-10



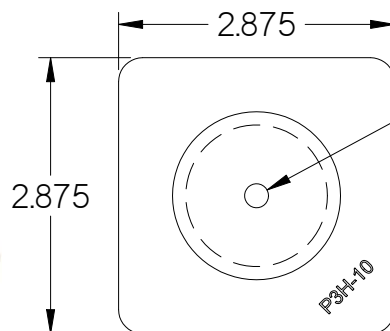
TOP VIEW



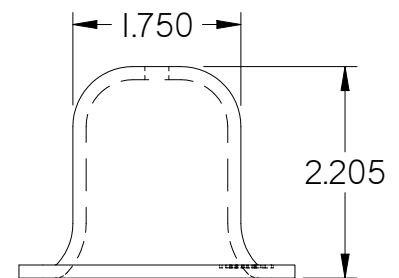
10 GAUGE

SIDE VIEW

P3H-10



TOP VIEW



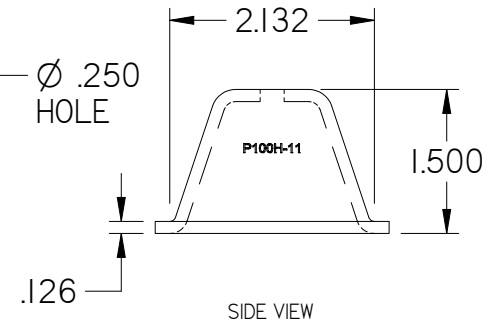
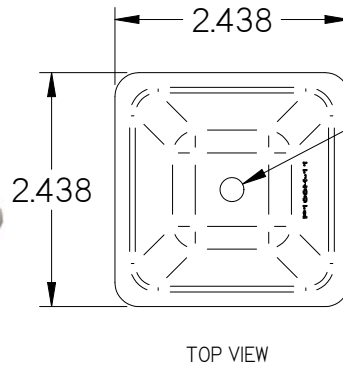
10 GAUGE

SIDE VIEW

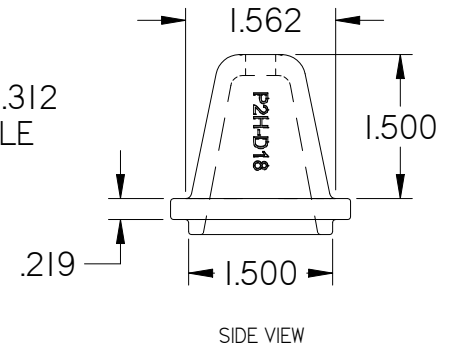
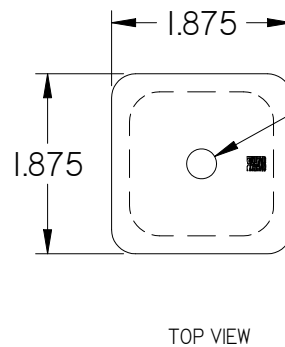
3255 14th Avenue, Markham, ON L3R 0H3
Phone: (905) 947-8100 • Fax: (905) 947-0754 • www.davcoindustries.ca

Steel Stacking Caps, Feet and Receivers

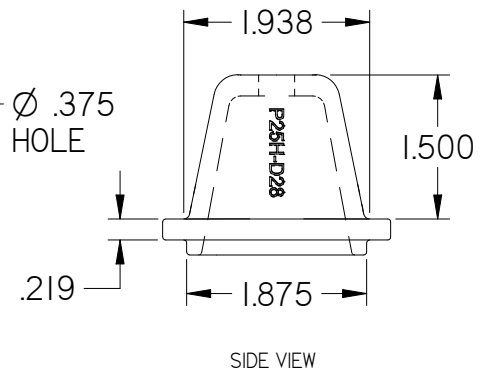
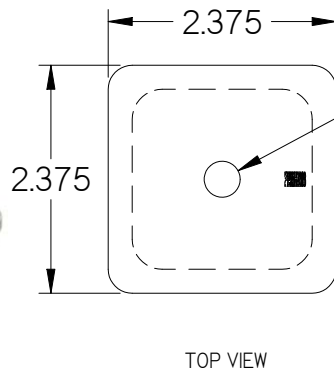
P100H-11



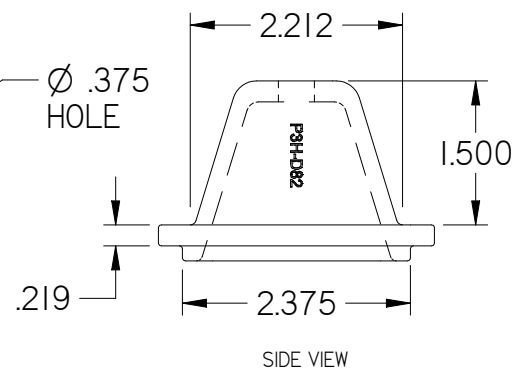
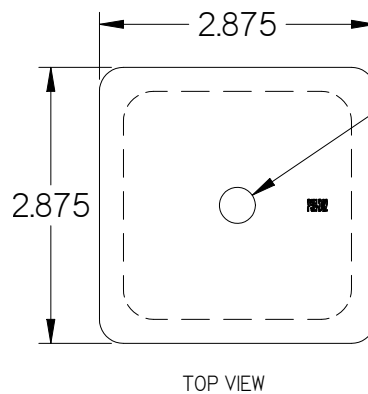
P2H-D18



P25H-D28

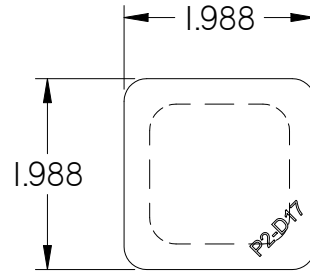


P3H-D82

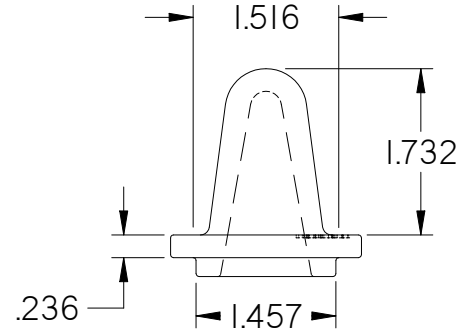


Steel Stacking Caps, Feet and Receivers

P2-D17

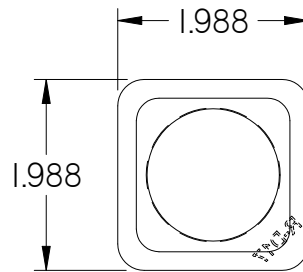


TOP VIEW

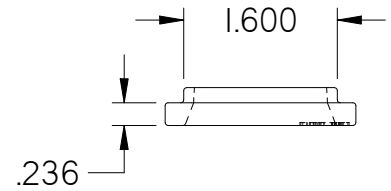


SIDE VIEW

R-D17



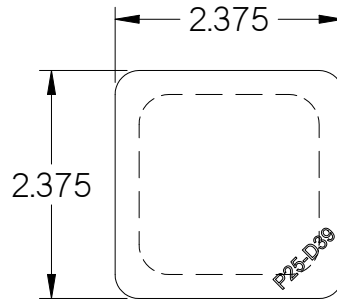
TOP VIEW



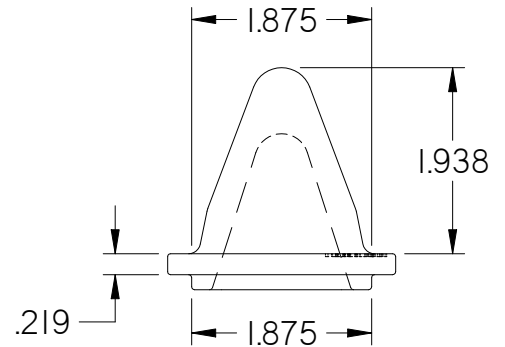
SIDE VIEW

This Receiver is Designed for P2-D17

P25-D39

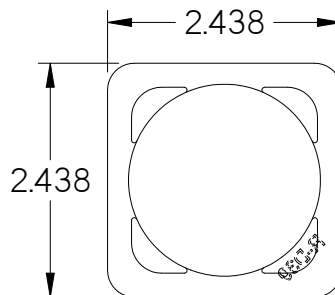


TOP VIEW

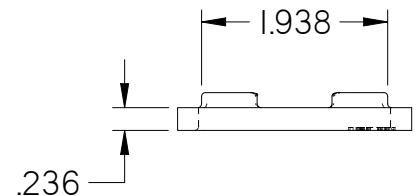


SIDE VIEW

R-D39



TOP VIEW

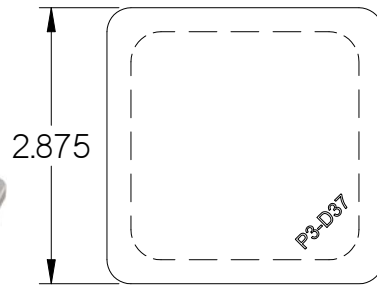


SIDE VIEW

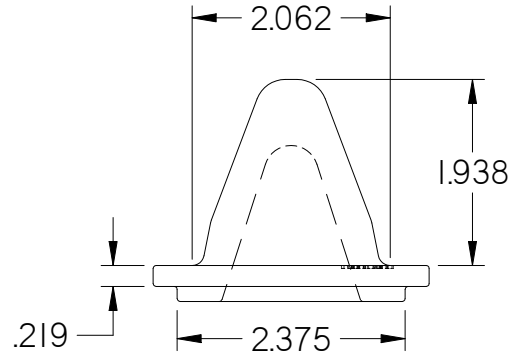
This Receiver is Designed for P25-D39

Steel Stacking Caps, Feet and Receivers

P3-D37

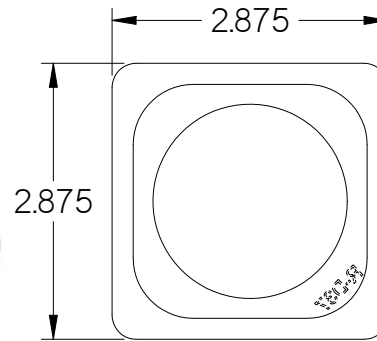


TOP VIEW

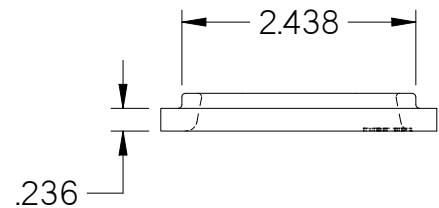


SIDE VIEW

R-D37



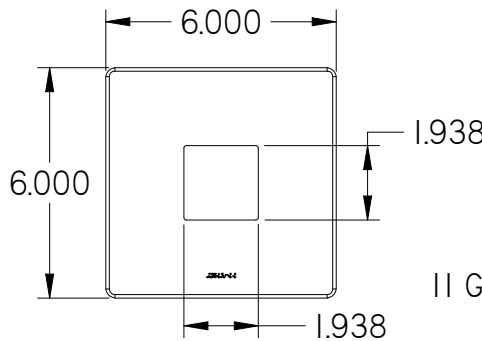
TOP VIEW



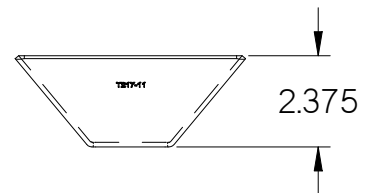
SIDE VIEW

This Receiver is Designed for P3-D37

T217-II



TOP VIEW



SIDE VIEW

II GAUGE